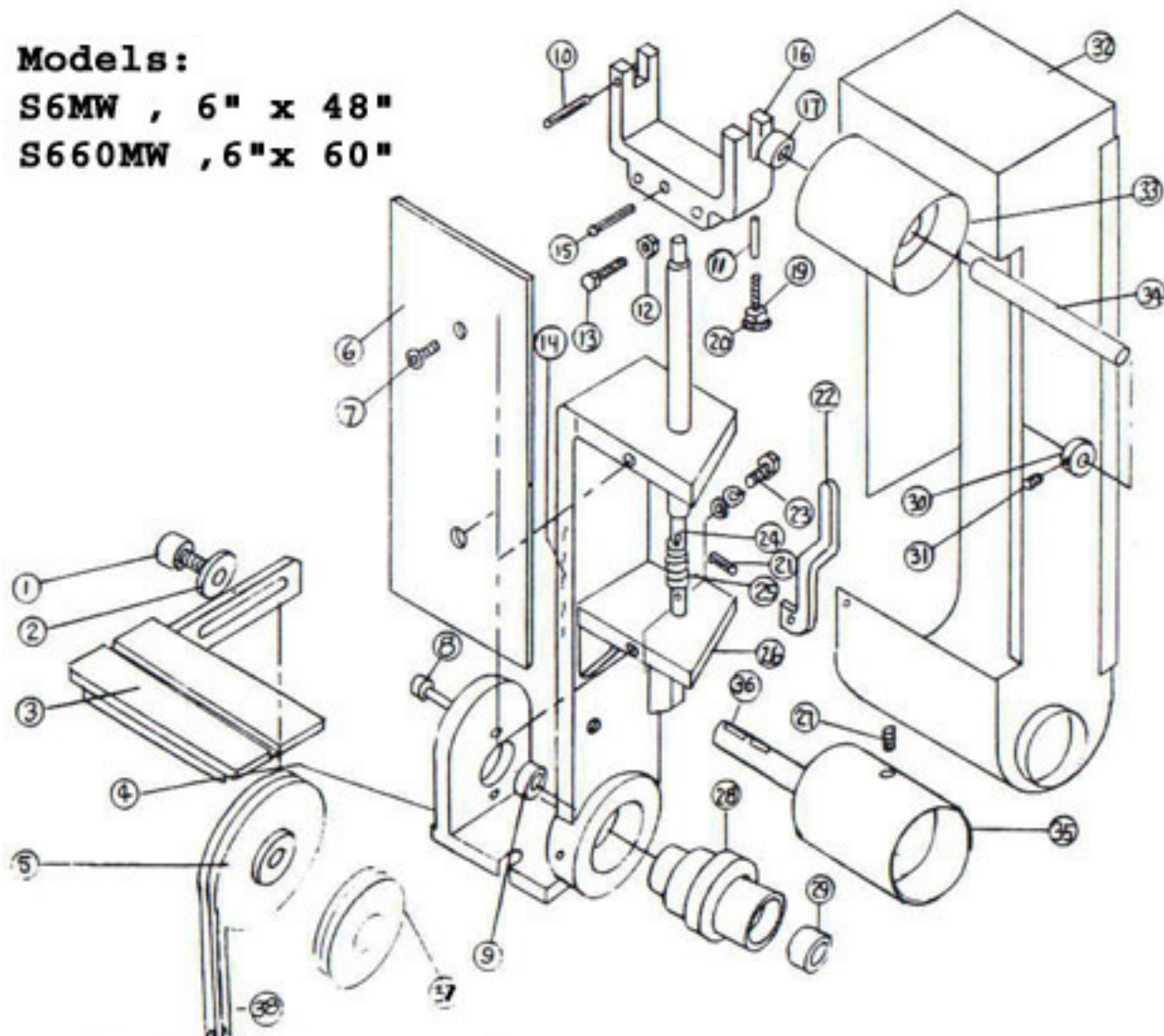


**Models:**

**S6MW , 6" x 48"**

**S660MW , 6" x 60"**



No.	Part No.	Description	QTY	No.	Part No.	Description	QTY
1		1/2-13x1-1/2 S.H.C.S	1	23		Bolt	1
2		1/2" Washer	1	24	700-D04W	Shaft	1
3	829-012	Work Table	1	25	697-024	Tension Spring	1
4	050-025	S6MW/S660MW Base	1	26	291-004	S6MW Frame	1
5	560-051	Spindle Pulley	1	26	291-030	S660MW Frame	1
	049-019	Spindle Bushing (Not Shown)	1	27		1/4-20x3/4 S.S.S	1
6	563-002	S6 Platen	1	28	386-013	Bearing Housing	1
6	563-023	S660 Platen	1	29	044-001	Bearing	1
7		5/16-18x1F.H.S.C.S		30	123-016	Locking Collars	2
8		5/16-18x1-1/4 S.H.C.S		31		Set Screw	1
9	044-007	K10 Bearing	1	32	342-069	S6MW OSHA Guard	1
10		3/16x2 Roll Pin	1	32	342-085	S660MW OSHA Guard	1
11	562-018	Pin	1	33	560-016ASSY	Idler Pulley Assembly	1
12		Nut	1	34		Idler Spindle (Sold with Idler pulley only)	1
13		1/4-20x2 Carriage Bolt	2	35	560-015W	S6MW/S660MW Drive Pulley	1
14		Serial Number	1	36	701-041	S6MW/S660MW Drive Spindle	1
15		3/16x2 Roll Pin	1	37	560-052	Motor V-Belt Pulley	1
16	960-006	Yoke	1		049-020	Motor V-Belt Bushing (Not Shown)	1
17	044-001	Bearings	2		486-006	3Hp 1Ph (Not Shown)	1
19		Locking Nut	1		486-007	3Hp 3Ph (Not Shown)	1
20	441-014	Knob	1		577-001	1/4Hp 1Ph Pump Motor (Not Shown)	1
21		3/16x2 Roll Pin	1		577-002	1/4hp 3Ph Pump Motor (Not Shown)	1
22	455-003	Tension Lever	1		960-006YA	Yoke Assembly (Optional)	1