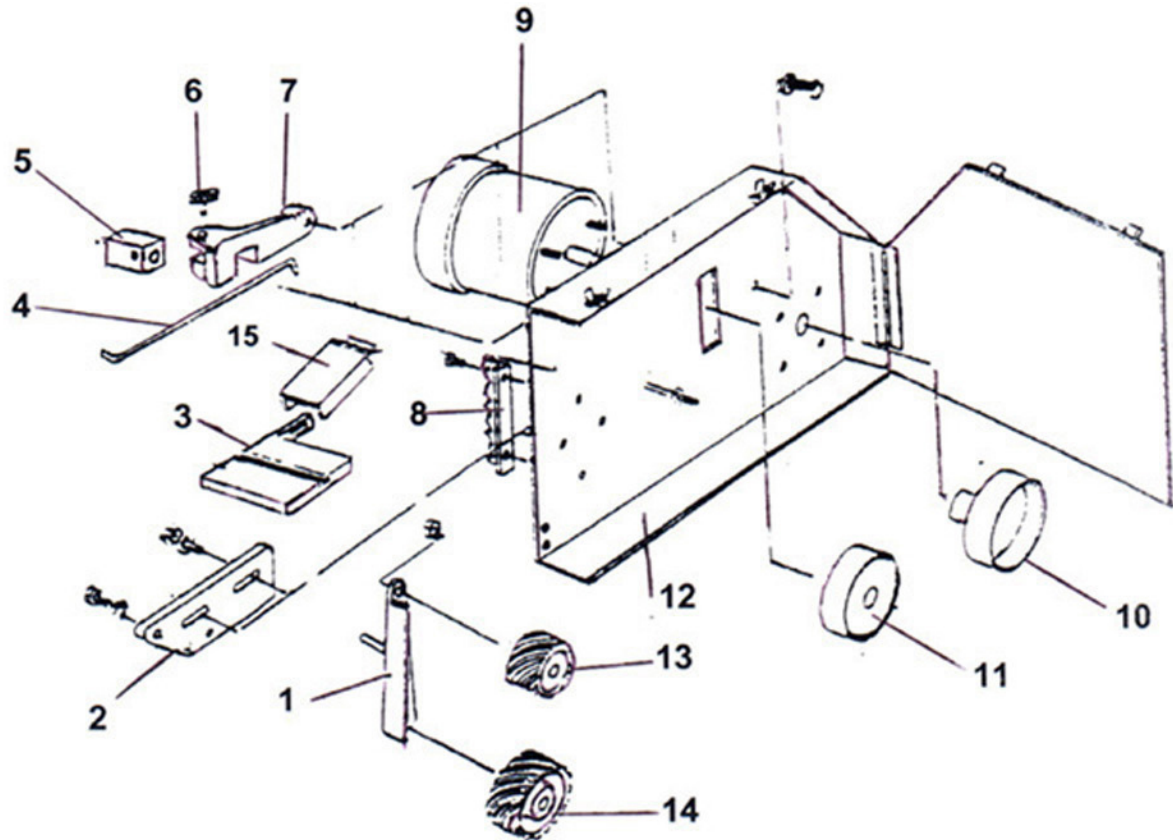


# Kalamazoo Industries, Inc.

## MODEL S272 SERIES



ITEM NO	PART NO.	DESCRIPTION
---------	----------	-------------

1	563-028	PLATEN
2	048-003	ADJUSTING BAR
3	829-034	WORK TABLE S272
4	455-001	TENSION HANDLE
5	053-004	TRACKING BLOCK
6	696-009	TRACKING KNOB
7	002-009	TRACKING ARM
8	041-014	TENSION BRACKET
9	486-04VM	CL3509 1HP, 1PH
9	486-004	CM3545 1HP, 3PH
10	936-017	6" DRIVE PULLEY
11	936-003	IDLER PULLEY W/BRGS
12	291-036	FRAME
13	936-013	CONTACT WHEEL 1-1/2" S272
14	936-012	CONTACT WHEEL 3" S272
	342-015	BELT GUARD
	562-013	IDLER PIN
	562-014	PIVOT PIN
	CW-5	5" CONTACT WHEEL