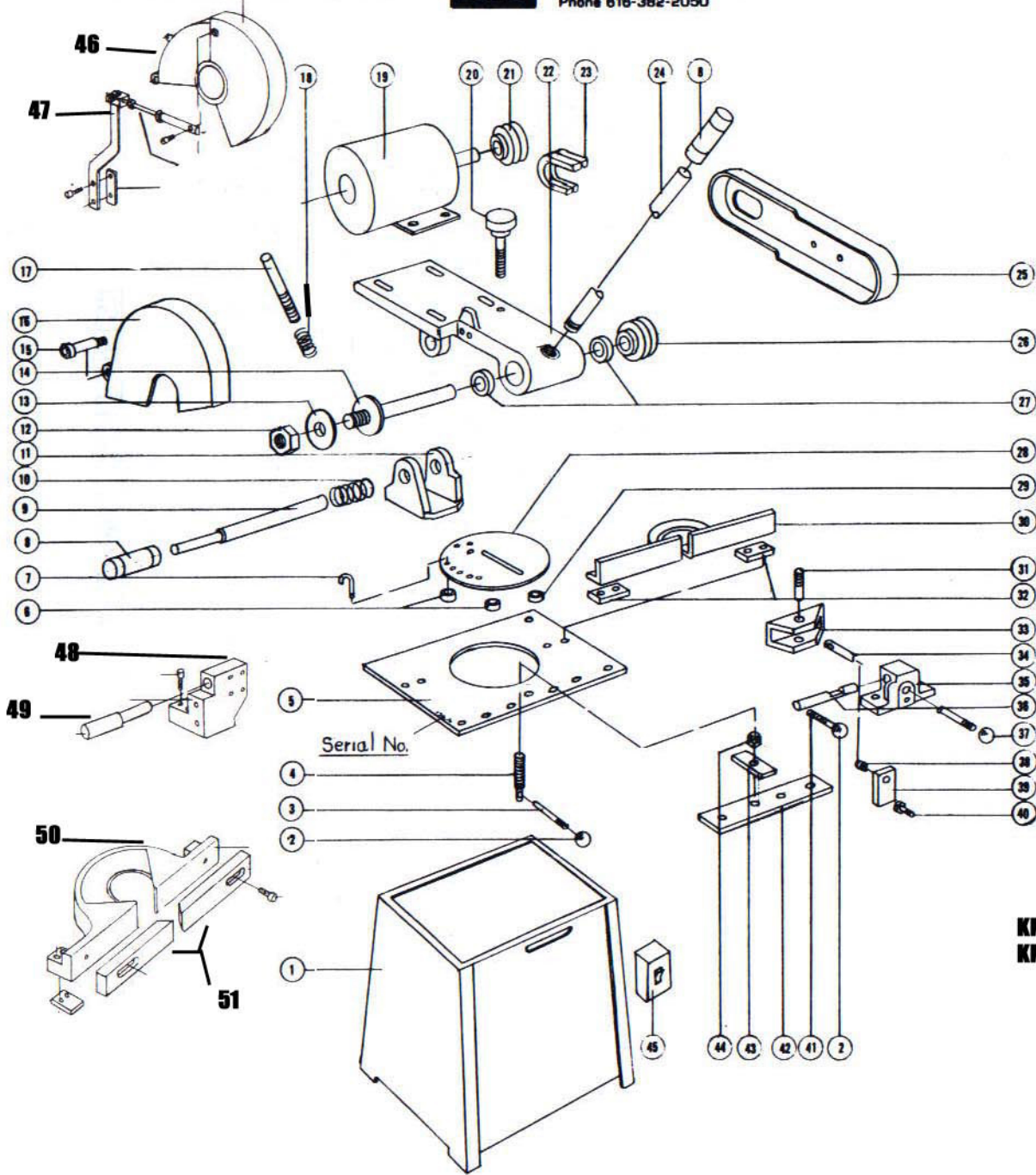


KALAMAZOO INDUSTRIES



6855 E. Michigan Ave./Box 2558
 Kalamazoo, Michigan 49003
 Phone 616-382-2050



NO.	PART NO.	DESCRIPTION	QTY
1.	716-001	STAND	1
2.	441-002	KNOB, VISE & TABLE LOCK HANDLE	3
3.	381-012	TABLE LOCK HANDLE	1
4.	696-013	TABLE LOCK SCREW	1
5.	556-008	MITRE PLATE STAND TOP	1
6.	044-006	BALL BEARING	2
7.	562-020	TABLE INDEX PIN	1
8.	347-003	HANDLE GRIP	2
9.	562-019	TRUNNION PIN	1
10.	697-018	TRUNNION SPRING	1
11.	831-010	TRUNNION	1
12.		1-14 L.H. SPINDLE NUT	1
13.	292-004	LOOSE FLANGE	1
14.	701-002	SPINDLE W/TIGHT FLANGE	1
15.		5/8" SHOULDER BOLT	1
16.	342-025	WHEEL GUARD	1
17.	645-013	STOP ROD	1
18.	9-1608-11	STOP SPRING (DANLY)	1
19.		5HP MOTOR	1
20.	696-014	STOP SCREW (W/441-004 KNOB)	1
21.	560-002	MOTOR PULLEY	1
22.	002-002	SAW ARM	1
23.	051-006	V-BELT	2
24.	381-002	SAW HANDLE	1
25.	342-004	BELT GUARD	1
26.	560-001	SPINDLE PULLEY	1
27.	044-001	K12 BEARING	2
28.	050-036	MITRE PLATE BASE	1
29.	053-001	ECCENTRIC BUSHING (W/044-007)	1
30.	293-001	MITRE FENCE	1
31.	562-002	VISE JAW PIN	2
32.	699-014	FENCE SPACER	2
33.	431-001	VISE JAW	2
34.	645-009	VISE ROD	2
35.	386-001	VISE HOUSING	2
36.	129-001	VISE LOCK CAM	2
37.	441-001	KNOB, VISE ROD	2
38.	697-001	VISE ROD SPRING	2
39.	454-001	VISE LOCK	2
40.	696-001	VISE CAM SCREW	2
41.	381-001	VISE LOCK HANDLE	2
42.	699-005	VISE SPACER	1
43.	454-004	TABLE LOCK	1
44.		5/8-11 TABLE NUT	1
45.		MANUAL STARTER	1

- 46. 342-072 clam guard**
- 47. 455-007 lever**
- 48. 831-022 trunnion**
- 49. 562-019 Trunnion Pin**
- 50. 294-017 Fence**
- 51. 556-046 Alum.Fence Plate**

**KM14SC &
 KM14HS Only**

KMI4 , KM14HS, KM14SC		
SCALE:	APPROVED BY:	DRAWN BY:
DATE:		REVISED:
		DRAWING NUMBER: