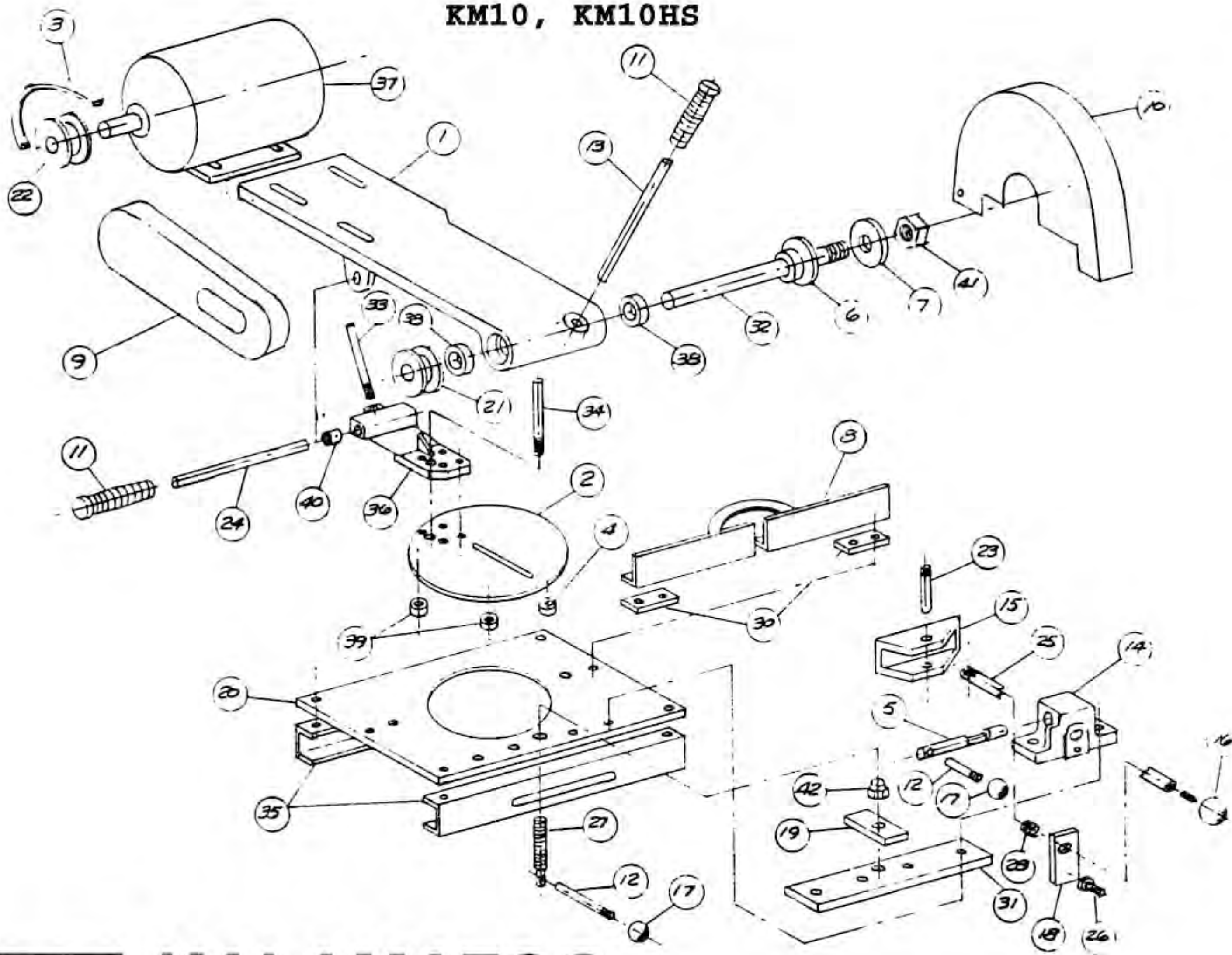


KM10, KM10HS



NO.	PART NO.	DESCRIPTION
1.	002-006	SAW ARM
2.	050-013	MITRE PLATE BASE
3.	051-003	V-BELT 3V355
4.		ECCENTRIC BUSHING
5.	129-001	WISE LOCK CAM
6.	292-012	TIGHT FLANGE
7.	292-008	LOOSE FLANGE
8.	293-001	MITRE FENCE
9.	342-043	BELT GUARD
10.	342-006	WHEEL GUARD
	342-103	KM10HS clam grd
11.	347-001	HANDLE GRIP
12.	381-001	WISE LOCK HANDLE
13.	381-003	SAW HANDLE
14.	386-001	WISE HOUSING
15.	431-001	FRONT VISE JAW
16.	441-001	KNOB, VISE ROD
17.	441-002	KNOB, VISE HANDLE
18.	454-001	WISE LOCK
19.	454-004	TABLE LOCK
20.	556-008	MITRE PLATE
21.	560-045S	SPINDLE PULLEY
22.	560-045M	MOTOR PULLEY
23.	562-001	WISE JAW PIN
24.	562-008	TRUNNION PIN
25.	645-009	WISE ROD
26.	696-001	CAM VISE SCREW
27.	696-013	TABLE LOCK SCREW
28.	697-001	WISE ROD SPRING
29.	697-002	CAM VISE SPRING
30.	699-017	FENCE SPACER
31.	699-005	WISE SPACER
32.	701-003	SAW SPINDLE
33.	709-008	REAR ARM STOP
34.	709-007	FRONT ROD STOP
35.	711-002	PLATE SUPPORT
36.	831-013	TRUNNION
37.	MOTOR	3HP 1PH OR 3PH
38.	004-007	K10 BEARING
39.	044-006	BEARING
40.	P-50-4	SLEEVE BEARING
41.	5/8-20	JAM NUT
42.	5/8-11	ACORN NUT



**KALAMAZOO
INDUSTRIES, INC.**

6856 East K Avenue
Kalamazoo, MI 49048
269-382-2050 PH
269-382-0790 FAX

www.kalamazooindustries.com