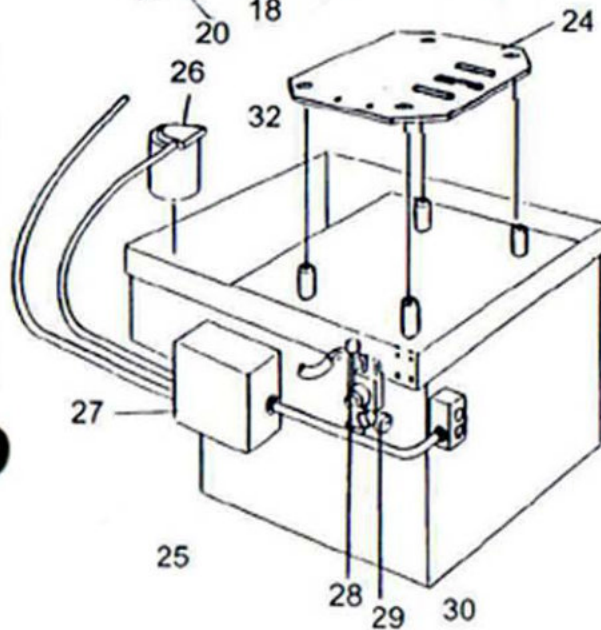
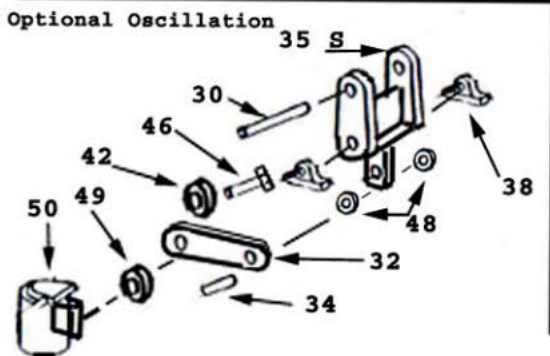
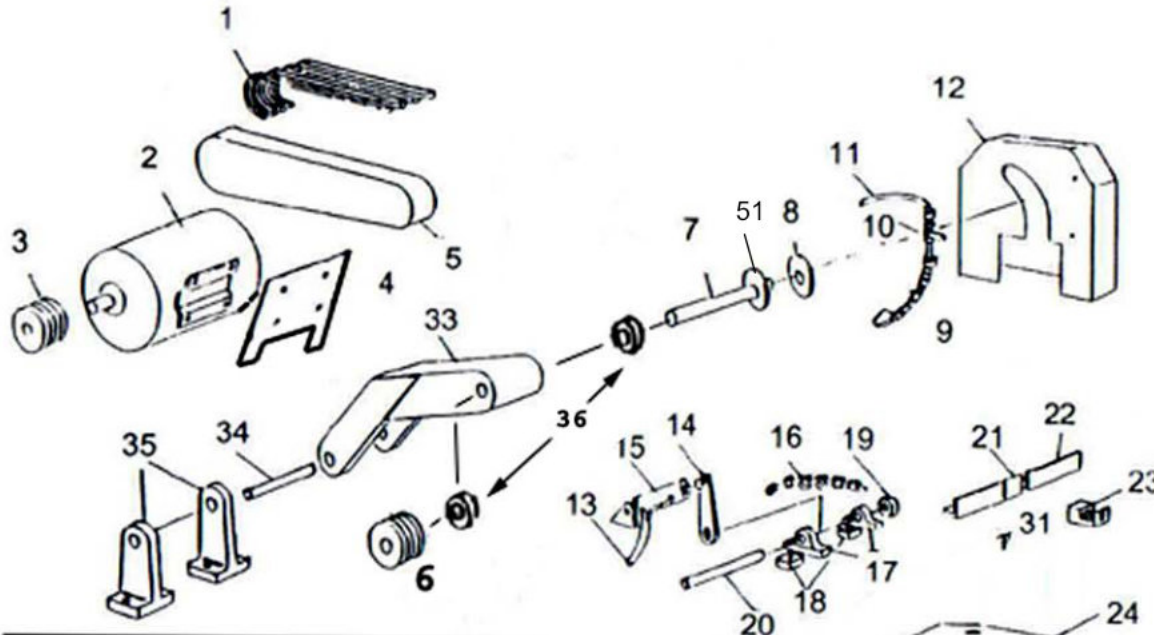


**K30PH, K30WOSCPHV, K34, K36**



**KI KALAMAZOO INDUSTRIES, INC.**

6856 East K Avenue  
 Kalamazoo, MI 49048  
 269-382-2050 PH  
 269-382-0790 FAX  
 www.kalamazooindustries.com

NO.	PART NO.	DESCRIPTION	QTY
1	051-026	V-BELT	3
2		MOTOR, 30HP or 40HP	1
3	560-088	PULLEY MOTOR	1
4	556-124	PLATE-MOTOR	1
5	342-109	BELT GUARD	1
6	560-112	PULLEY-SPINDLE	1
7	701-052	SPINDLE	1
8	292-031	FLANGE-LOOSE	1
9		COOLANT HOSE	1
10		COOLANT VALVE	1
11		COOLANT HOSE	1
12	342-106	WHEEL GUARD	1
13		AIR LINE	1
14	002-015	ARM-CHAIN TAKE UP	1
15	131-015	CYLINDER-CHAIN VISE	1
16		CHAIN	1
17		PILLOW BLOCK	1
18		SPACER	1
19	560-036	PULLEY	1
20	700-039	SHAFT-CHAIN TAKE-UP	1
21	293-025	FENCE, L.H.	1
22	293-026	FENCE, R.H.	1
23	053-011	BLOCK-CHAIN	1
24	556-124	PLATE-TOP	1
25		STAND/BASE	1
26	IMV50-F	PUMP	1
27		ELEC NEMA BOX	1
28	912-014	4-WAY VALVE, VISE	1
29	912-006	AIR REGULATOR, SMALL	1
30	562-040	TRUNNION PIN-OSC	1
31	651-002	REGULATOR-LARGE	1
32	002-045	OSCILLATION ARM	1
33	002-019	SAW ARM SHORT	1
33	002-020	SAW ARM LONG (OSC)	1
34	562-044	OSCILLATION PIN	1
35	831-002	TRUNNIONS	2
35	831-034	OSCILLATION TRUNNION	1
36	044-016	BEARING-SPINDLE	2
37	556-126	PLATE-POWER DOWN	1
38	044-030	BEARING-OSC-	2
39	131-016	CYLINDER- 3-1/4x17	1
40	556-125	PLATE, POWER DOWN	1
41	645-029	ROD, POWER DOWN	1
42	044-001	K12 BEARING-OSC ARM	2
43	486-017	MOTOR-COOLANT	1
44	124-010	CABINET-HYD	1
45	292-030	FLANGE-TIGHT	1
46	700-040	OSCILLATION PIN BOLT	1
47	048-029	BAR-MOTOR PLATE	1
48	049-034	BRONZE BUSHING	2
49	129-014	OSCILLATION CAM	1
50	486-033M	MOTOR-OSCILLATION	1
	486-033R	REDUCER-OSC	1

51 292-021 Tight flange 1