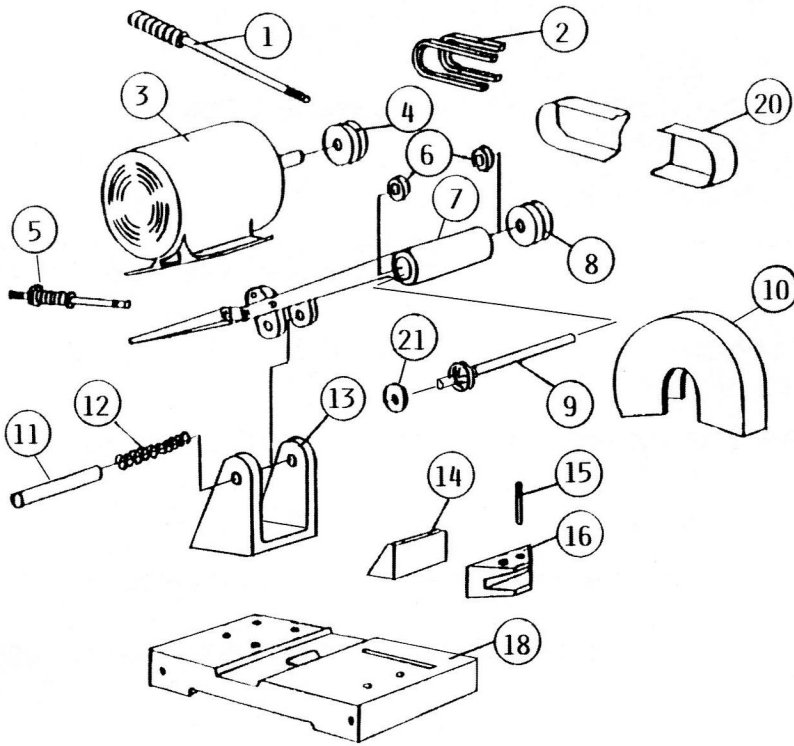


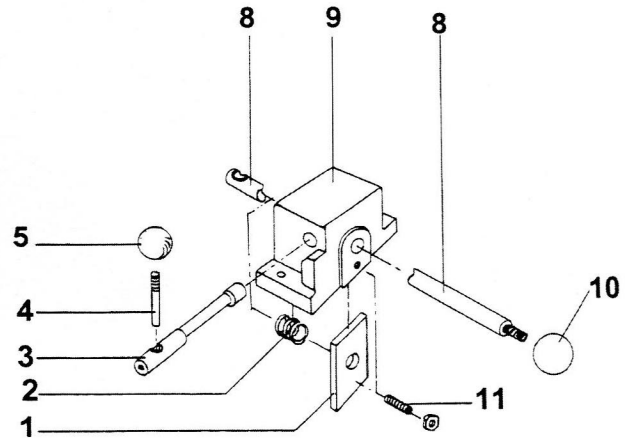
MODEL K12B & K14B PARTS DIAGRAM



NO.	PART NO.	DESCRIPTION	QTY
1	381-002	HANDLE WITH GRIP	1
2	051-006	V-BELT (3V375)	2
3	486-023	5HP, 3450, 1PH, 220VOLT MOTOR	1
	486-001	5HP, 3450, 3PH, 220V OR 440V MOTOR	1
	710-118	SWITCH FOR 1PH/220V	1
	710-765	SWITCH FOR 3PH/220V	1
	710-135	SWITCH FOR 3PH/440V	1
4	560-002	MOTOR PULLEY	1
5	645-004	STOP ASSEMBLY	1
6	044-001	K12 BEARING	2
7	002-002	SAW ARM	1
8	560-001	SPINDLE PULLEY	1
9	701-002	SPINDLE W/ TIGHT FLANGE	1
	292-004	LOOSE FLANGE (not shown)	1
	537-026	L.H. SPINDLE NUT (not shown)	1
10	342-025	14" WHEEL GUARD	1
11	562-003	TRUNNION PIN	1
12	697-018	TRUNNION SPRING	1
13	041-003	TRUNNION	1
14	431-002	REAR VISE JAW	1
15	562-001	VISE JAW PIN	1
16	431-001	FRONT VISE JAW	1
18	050-002	SAW BASE	1
20	342-004	BELT GUARD	1
	702-004	SPINDLE ASSEMBLY	1
		**INCLUDES SPINDLE, FLANGES BEARINGS AND NUT	

VISE ASSEMBLY PARTS DIAGRAM

NO.	PART NO.	DESCRIPTION
1	454-001	LOCK, VISE
2	697-001	SPRING, VISE ROD
3	129-001	CAM, VISE LOCK
4	381-001	HANDLE, VISE LOCK
5	441-002	KNOB, VISE LOCK HANDLE
8	645-001	ROD, VISE (SHORT)
9	386-001	VISE HOUSING
10	441-001	KNOB, VISE ROD
11	696-001	SCREW, VISE CAM
	912-015	COMPLETE VISE ASSY LESS JAW



WARRANTY

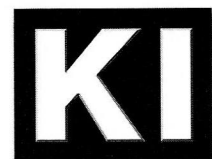
All products are guaranteed for a period of one year to the original purchaser, against defects in material workmanship under normal use. Electric motors are warranted by the motor manufacturer and will be repaired by the nearest motor repair station. If non-repairable, they will be replaced by Kalamazoo Industries. Please call for instructions 269-382-2050.

RETURN POLICY

Authorization must be obtained before returning merchandise. Please call our customer service department for a return authorization number at 269-382-2050. Please include with your return a copy of your invoice or packing slip. Materials must be sent back prepaid. (Unless otherwise indicated). All returns will be subject to a 10% restocking charge. No returns will be accepted after one year of invoice date.

KALAMAZOO INDUSTRIES, INC.

6856 East K Avenue
 Kalamazoo, MI 49048
 269-382-2050 PH
 269-382-0790 FAX
www.kalamazooindustries.com



Made in U.S.A.