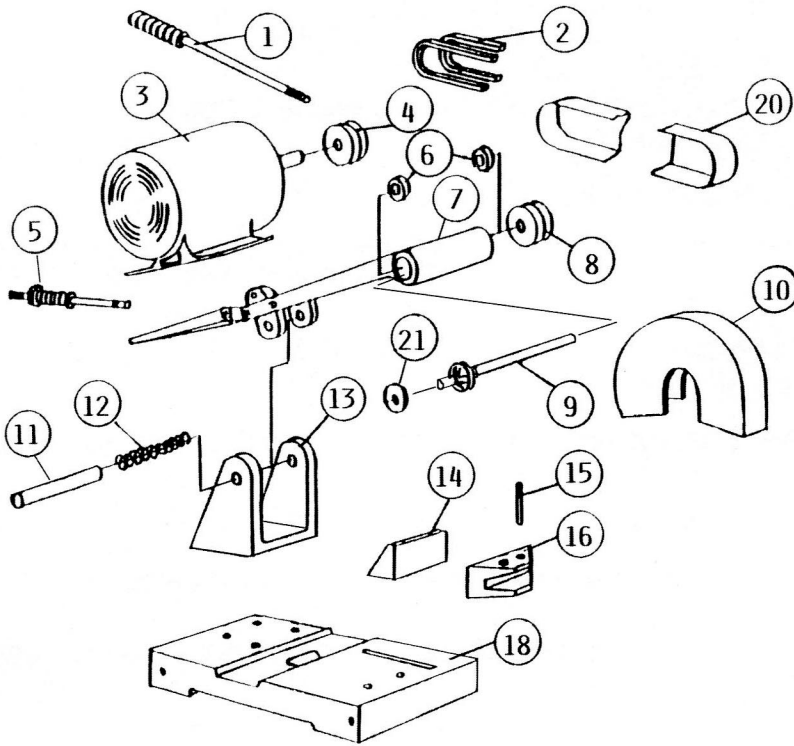


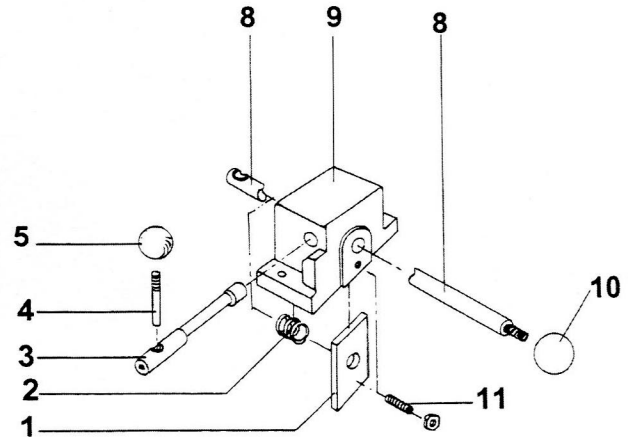
MODEL K12B & K14B PARTS DIAGRAM



| NO. | PART NO. | DESCRIPTION | QTY |
|-----|----------|---|-----|
| 1 | 381-002 | HANDLE WITH GRIP | 1 |
| 2 | 051-006 | V-BELT (3V375) | 2 |
| 3 | 486-023 | 5HP, 3450, 1PH, 220VOLT MOTOR | 1 |
| | 486-001 | 5HP, 3450, 3PH, 220V OR 440V MOTOR | 1 |
| | 710-118 | SWITCH FOR 1PH/220V | 1 |
| | 710-765 | SWITCH FOR 3PH/220V | 1 |
| | 710-135 | SWITCH FOR 3PH/440V | 1 |
| 4 | 560-002 | MOTOR PULLEY | 1 |
| 5 | 645-004 | STOP ASSEMBLY | 1 |
| 6 | 044-001 | K12 BEARING | 2 |
| 7 | 002-002 | SAW ARM | 1 |
| 8 | 560-001 | SPINDLE PULLEY | 1 |
| 9 | 701-002 | SPINDLE W/ TIGHT FLANGE | 1 |
| | 292-004 | LOOSE FLANGE (not shown) | 1 |
| | 537-026 | L.H. SPINDLE NUT (not shown) | 1 |
| 10 | 342-025 | 14" WHEEL GUARD | 1 |
| 11 | 562-003 | TRUNNION PIN | 1 |
| 12 | 697-018 | TRUNNION SPRING | 1 |
| 13 | 041-003 | TRUNNION | 1 |
| 14 | 431-002 | REAR VISE JAW | 1 |
| 15 | 562-001 | VISE JAW PIN | 1 |
| 16 | 431-001 | FRONT VISE JAW | 1 |
| 18 | 050-002 | SAW BASE | 1 |
| 20 | 342-004 | BELT GUARD | 1 |
| | 702-004 | SPINDLE ASSEMBLY | 1 |
| | | **INCLUDES SPINDLE, FLANGES BEARINGS AND NUT | |

VISE ASSEMBLY PARTS DIAGRAM

| NO. | PART NO. | DESCRIPTION |
|-----|----------|-----------------------------|
| 1 | 454-001 | LOCK, VISE |
| 2 | 697-001 | SPRING, VISE ROD |
| 3 | 129-001 | CAM, VISE LOCK |
| 4 | 381-001 | HANDLE, VISE LOCK |
| 5 | 441-002 | KNOB, VISE LOCK HANDLE |
| 8 | 645-001 | ROD, VISE (SHORT) |
| 9 | 386-001 | VISE HOUSING |
| 10 | 441-001 | KNOB, VISE ROD |
| 11 | 696-001 | SCREW, VISE CAM |
| | 912-015 | COMPLETE VISE ASSY LESS JAW |



WARRANTY

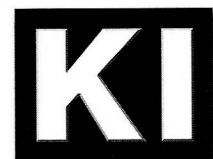
All products are guaranteed for a period of one year to the original purchaser, against defects in material workmanship under normal use. Electric motors are warranted by the motor manufacturer and will be repaired by the nearest motor repair station. If non-repairable, they will be replaced by Kalamazoo Industries. Please call for instructions 269-382-2050.

RETURN POLICY

Authorization must be obtained before returning merchandise. Please call our customer service department for a return authorization number at 269-382-2050. Please include with your return a copy of your invoice or packing slip. Materials must be sent back prepaid. (Unless otherwise indicated). All returns will be subject to a 10% restocking charge. No returns will be accepted after one year of invoice date.

KALAMAZOO INDUSTRIES, INC.

6856 East K Avenue
 Kalamazoo, MI 49048
 269-382-2050 PH
 269-382-0790 FAX
www.kalamazooindustries.com



Made in U.S.A.