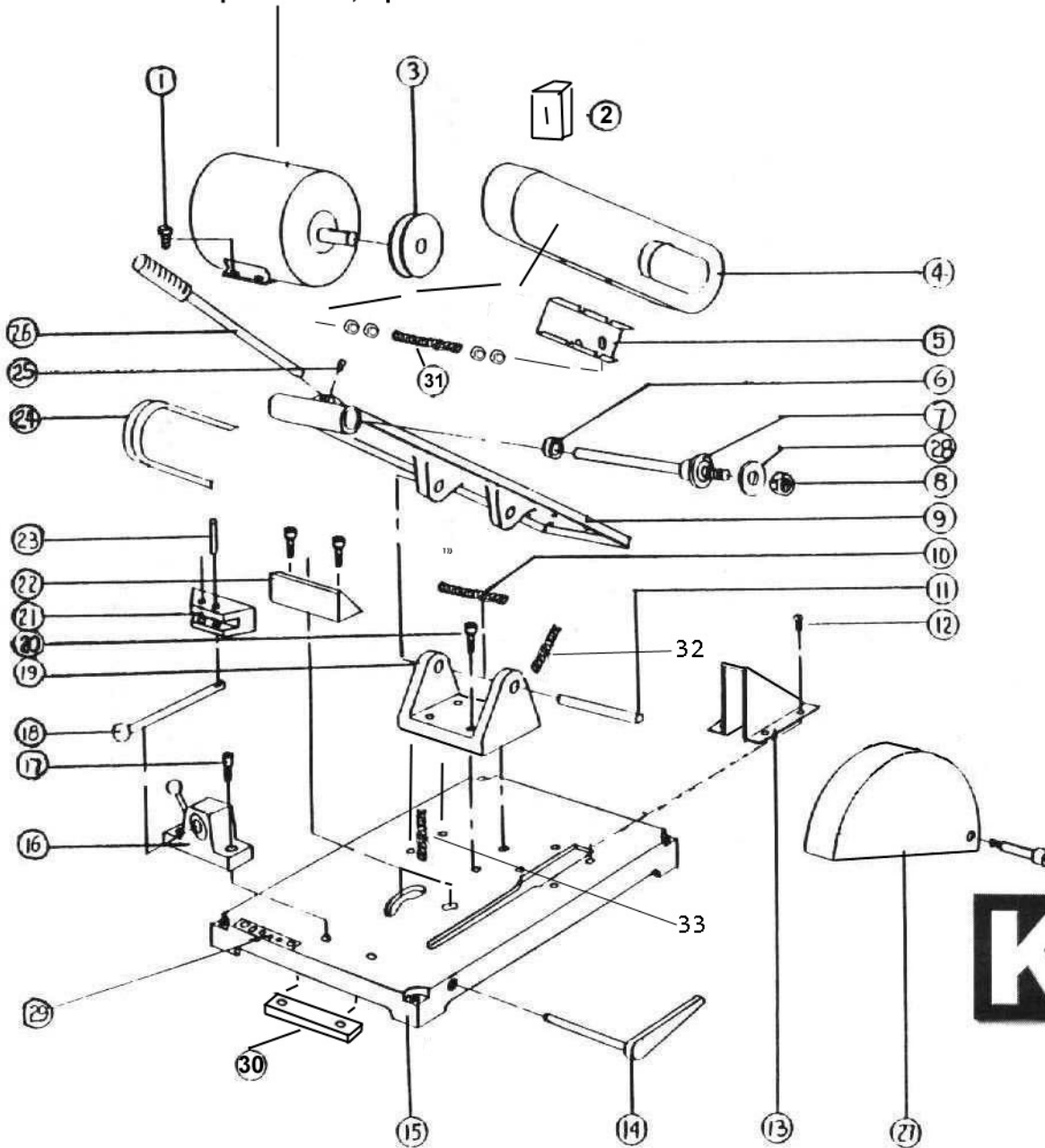


K10B -- Model

Motor 3 ph: 486-007, 1 ph: 486-006



	PART NO.	DESCRIPTION	QTY
1		5/16x1-1/4 MOTOR BOLT	4
2	701-071	Switch	1
3	560-045	MOTOR PULLEY & SPINDLE	2
4	342-043	BELT GUARD	1
5	342-027	BRACKET, BELT GUARD	1
6	044-007	K10 BEARING	2
7	701-003	SPINDLE W/TIGHT FLANGE	1
8	537-025	SPINDLE NUT	1
9	002-003	SAW ARM	1
10	697-004	TRUNNION SPRING	1
11	562-004	TRUNNION PIN	1
12		10-24x1/2 R.H.M.S.	4
13	342-008	SPARK DEFLECTOR	1
14	709-002	STOCK STOP	1
15	050-008	SAW BASE	1
16	386-001	VICE HOUSING ASSY	1
17		5/16-18 x1" HHCS	2
18	645-001	VICE ROD	1
19	041-006	TRUNNION	1
20		5/16-18x1-3/8 HHCS	4
21	431-001	FRONT VISE JAW	1
22	431-002	REAR VISE JAW	1
23	562-001	VICE JAW PIN	1
24	051-003	V-BELT 3V355	1
25		1/4-20 S.S.S.	1
26	381-003	HANDLE W/GRIP	1
27	342-006	WHEEL GUARD	1
28	292-008	LOOSE FLANGE	1
29		SERIAL NUMBER LOCATION	1
30	537-014	nut, rear vise jaw	1
31	thd rod	5/16-18 x 1 1/4 , 6 nuts,washers	
	912-015	VICE ASSY/LESS JAW	

32 Down stop rod
33 Up stop rod



KALAMAZOO INDUSTRIES, INC.

6856 East K Avenue
Kalamazoo, MI 49048
269-382-2050 PH
269-382-0790 FAX
www.kalamazooindustries.com