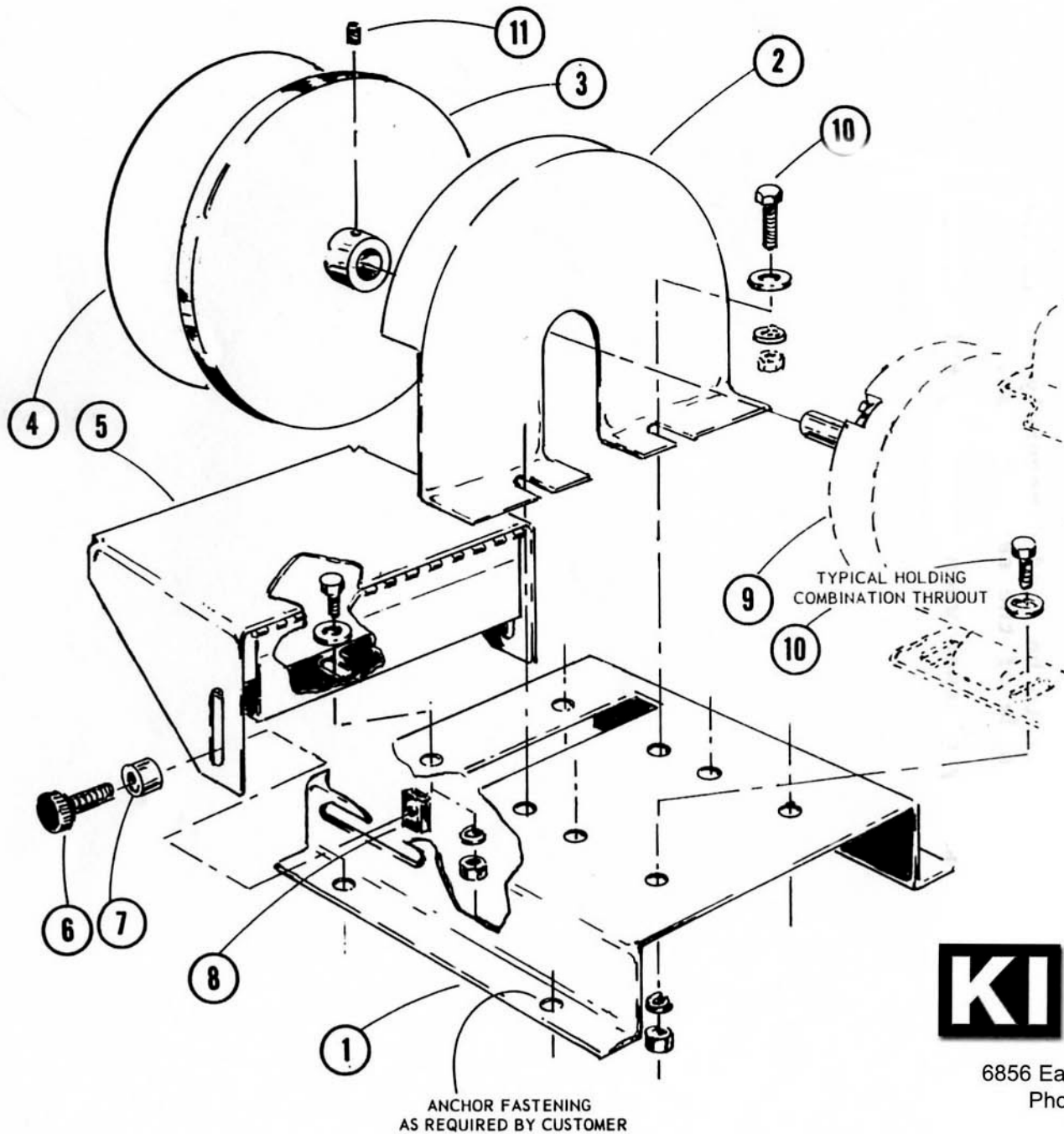


DISC SANDER (Model DS-10)

ITEM	PART NO.	DESCRIPTION
1	050-022	Base
2	342-029	Guard
3	160-001	Sanding Disc Holder
4	PSA	Paper (Sanding Disc)
5	829-014	Table Assembly
6	441-017	Holding Knob
7		Spacer
8		Weld Nut
9	486-011	Motor - ½ H.P. 1725 RPM W/ Cord & Off & On Switch
10		Mach. Screw - ¼ -20 x ¾ W/ Flat Washer, Lock Washer & Nut
11		Set Screw



Model DS10

**KI KALAMAZOO
INDUSTRIES, INC.**

6856 East K Avenue - Kalamazoo, MI 49048-6042

Phone 269-382-2050 Fax 269-382-0790

www.kalamazooindustries.com