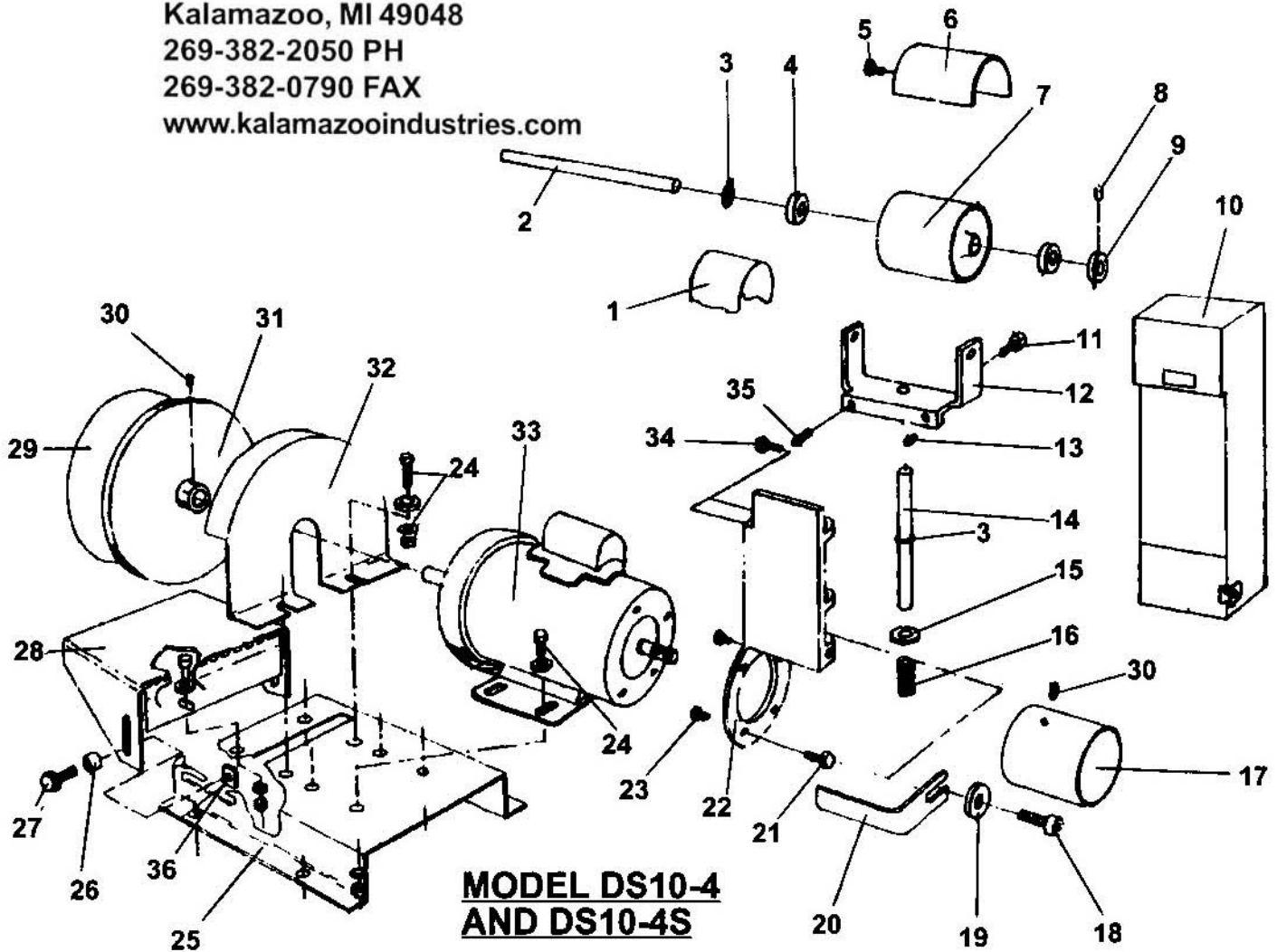


INDUSTRIES, INC.

6856 East K Avenue
 Kalamazoo, MI 49048
 269-382-2050 PH
 269-382-0790 FAX
 www.kalamazooindustries.com



MODEL DS10-4 AND DS10-4S

1		4"x36" SANDING BELT	1
2	701-008	IDLER SPINDLE	1
3	5100-50	RETAINING RING	2
4	044-002	BEARINGS	2
5		1/4-20x1/2 RHMS	2
6	342-005	UMBRELLA GUARD FOR DS10-4	1
7	560-006	IDLER PULLEY W/BEARINGS	1
8		10-24x1/4 SSC	1
9	123-003	COLLAR	1
10	342-022	FULL OSHA GUARD FOR DS10-4S	1
11		5/16-18x1-1/4 SHCS	1
12	960-002	YOKE	1
13		10-24x1/4 SSC	1
14	700-001	SHAFT	1
15		1/2" WASHER	1
16	697-010	TENSION SPRING	1
17	560-005	DRIVE PULLEY	1

18		5/16-18x3/4 SHCS	1
19		5/16" WASHER	1
20	829-004	WORK TABLE	1
21		5/16-18x3/4 SHCS	1
22	291-002	FRAME	1
23		1/4x20 HHCS	2
24		5/16-18x1 HHMC LOCK WASHER WASHER LOCK NUT	8 8 16 10
25	050-032	BASE	1
26		SPACER	1
27	441-017	HOLDING KNOB	2
28	829-014	TABLE ASSEMBLY	1
29		10" PAPER SANDING DISC	1
30		1/4-20x3/8 SSC	2
31	160-001	10" ALUMINUM DISC	1
32	342-029	DISC GUARD	1
33	486-014	34-4258-5422 DBL SHAFT MOTOR	1
34		1/4-20x1/2 HHCS	2
35	697-011	SPRING	1
36		WELD NUT	2