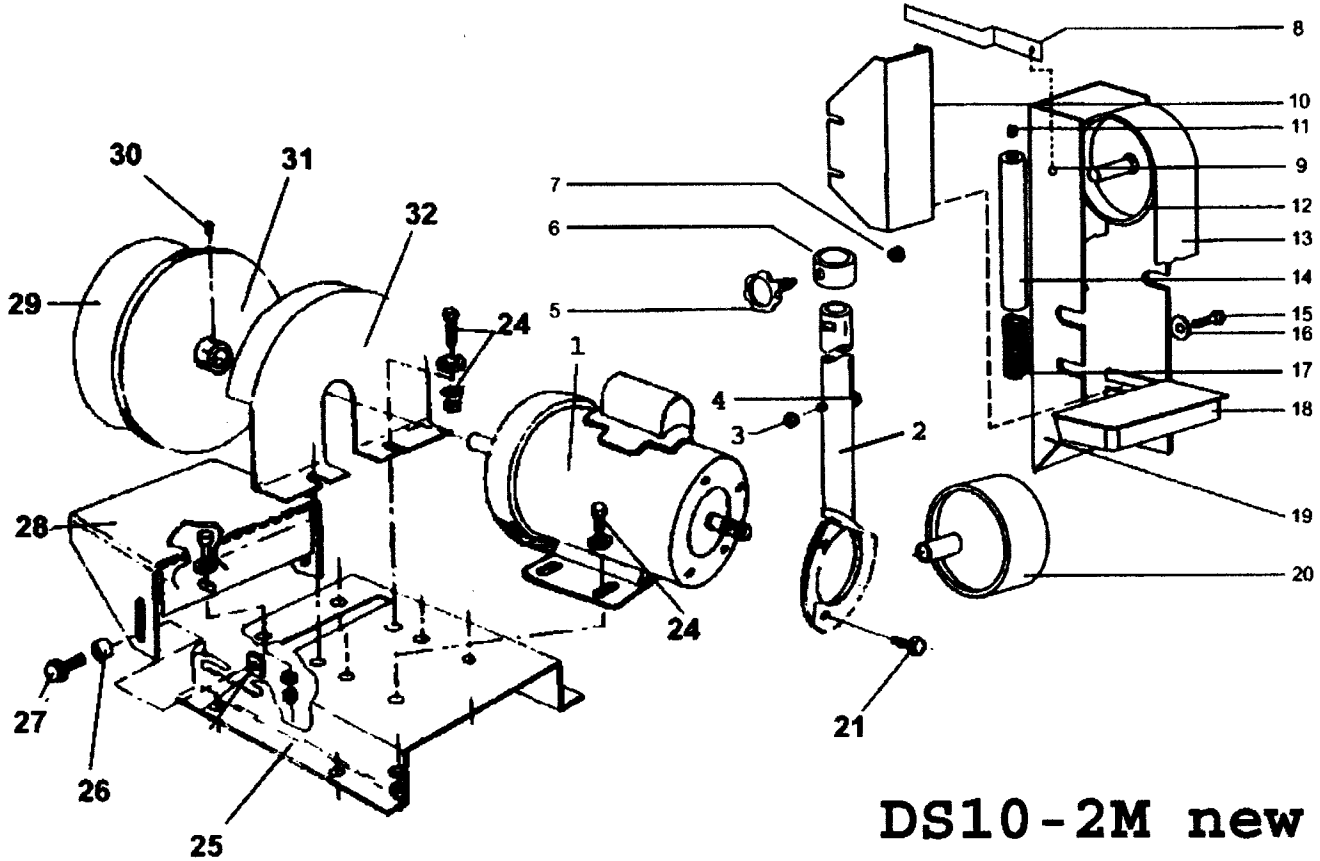




KALAMAZOO INDUSTRIES, INC.

6856 East K Avenue
 Kalamazoo, MI 49048
 269-382-2050 PH
 269-382-0790 FAX
 www.kalamazooindustries.com



DS10-2M new

ITEM PART NO DESCRIPTION QTY

ITEM	PART NO	DESCRIPTION	QTY
1	486-014	1/2HP, 1PH MOTOR	1
2	832-023	TUBE WITH RING	1
3		5/16-18 H.H. NUT	2
4		5/16-18X2 H.H.C.S.	2
5	441-011	TRACKING KNOB	1
6	123-004	TRACKING COLLAR	1
7		1/4-20 H.H. NUT	1
8	455-012	LEVER	1
9		RIVET	1
10	550-006	PLATEN	1
11		5/16-18X3/8 S.S.S.	1
12	936-003	IDLER PULLEY W/BRGS	1
13		2X48 SANDING BELT	1
14	645-008	IDLER SHAFT	1
15		1/4X20X1/2 H.H.C.S.	1

16		1/4" PLAIN WASHER	1
17	697-013	TENSION SPRING	1
18	829-004	WORK TABLE	1
19	342-018	HINGED SIDE OSHA GUARD	1
20	936-007	DRIVE PULLEY	1
21		5/16-18X3/4 S.H.C.S.	1
24		5/16-18X1 H.H.M.C.	8
		LOCK WASHER	8
		WASHER	16
		LOCK NUT	10
25	050-022	BASE	1
26		SPACER	2
27	441-017	HOLDING KNOB	2
28	829-014	TABLE ASSY (DISC SIDE)	1
29		10" SANDING DISC	1
30		1/4-20X3/8 S.S.C	2
31	160-001	10" ALUMINUM DISC	1
32	342-029	DISC GUARD	1