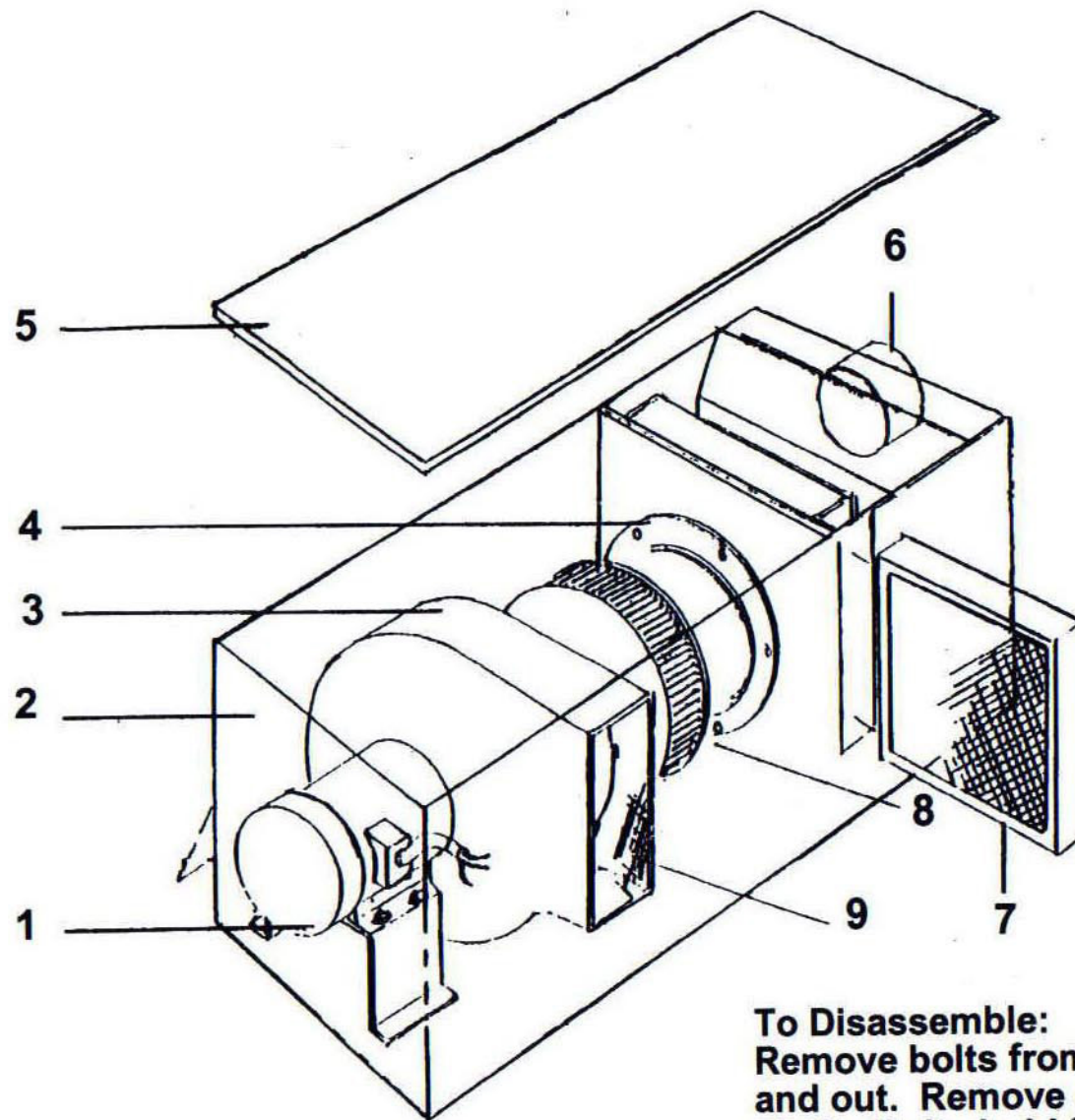


## MODEL DCV-6 DUST COLLECTOR



No.	Part No.	Description	QTY
1	486-002	1Hp 1Ph	1
	486-004	1Hp 3Ph	1
2	124-005	Cabinet	1
3	386-026	Fan Housing	1
4	004-005	Inlet Cone	1
5	124-006	Cabinet Cover	1
6	342-069B	4" Inlet	1
7	294-003	Filter	1
8	296-001	Squirrel Cage Fan	1
9		Exhaust Outlet	1
10	710-071	Switch	1

**DIMENSIONS:**  
26"Wx17-1/2"Lx18"H

### To Disassemble:

Remove bolts from motor base. Lift assembly straight up and out. Remove cone inlet #4. Take blower fan off motor shaft. Bolts hold fan housing to motor.

Note: Keep filter clean for best efficiency. Tap filter on floor or wash under faucet for cleaning.

**KI KALAMAZOO INDUSTRIES, INC.**

6856 East K Avenue  
Kalamazoo, MI 49048  
269-382-2050 PH  
269-382-0790 FAX  
www.kalamazooindustries.com