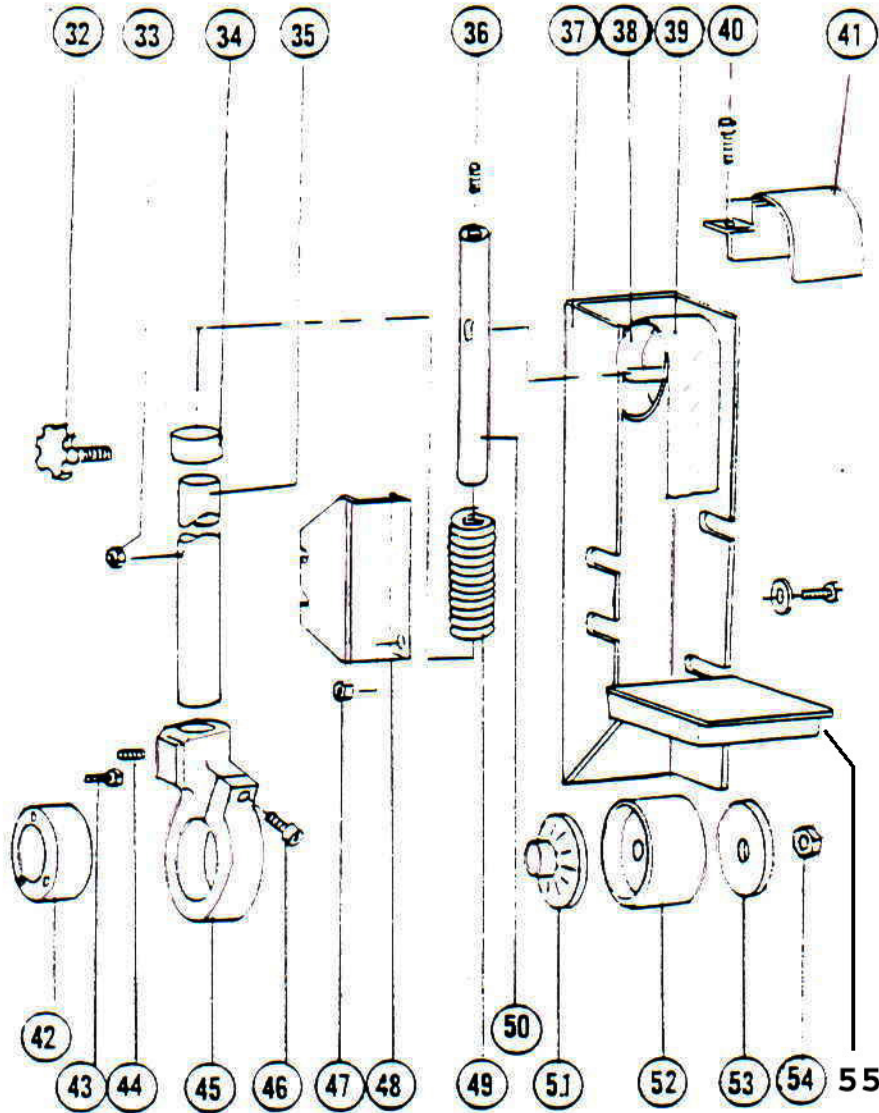


# KI KALAMAZOO INDUSTRIES, INC.

6856 East K Avenue - Kalamazoo, MI 49048-6042  
 Phone 269-382-2050 Fax 269-382-0790  
 www.kalamazooindustries.com



Parts List For 2SK7 and S2 Sander Kit

<u>Item Number</u>	<u>Description</u>	<u>Part Number</u>	<u>Item Number</u>	<u>Description</u>	<u>Part Number</u>
32	Tracking Knob	441-011	44	Set Screw	1/2 20 X 1/2
33	Bolt & Nut	1/2 20 X 2	45	Bracket	041-010
34	Collar	123-004	46	Bolt	5/16 X 18 X 1
35	Tube Support	829-003	47	Nut	1/2 20 nut
36	Set Screw	3/8 16 X 1/4	48	Platen	550-006
37	Guard	342-018	49	Spring	697-013
38	Upper Wheel	936-030	50	Tension Rod	645-008
39	Belt	2 X 48	51	Flange (tight)	292-012
40	Bolt	3/8 16 X 1 1/4	52	Drive Pulley	936-008
41	Guard	342-009	53	Flange (loose)	292-008
42	Adaptor Ring	123-005	54	Nut	5/8 X 18
43	Bolt	10-24 X 3/4	55	Work Table	829-004