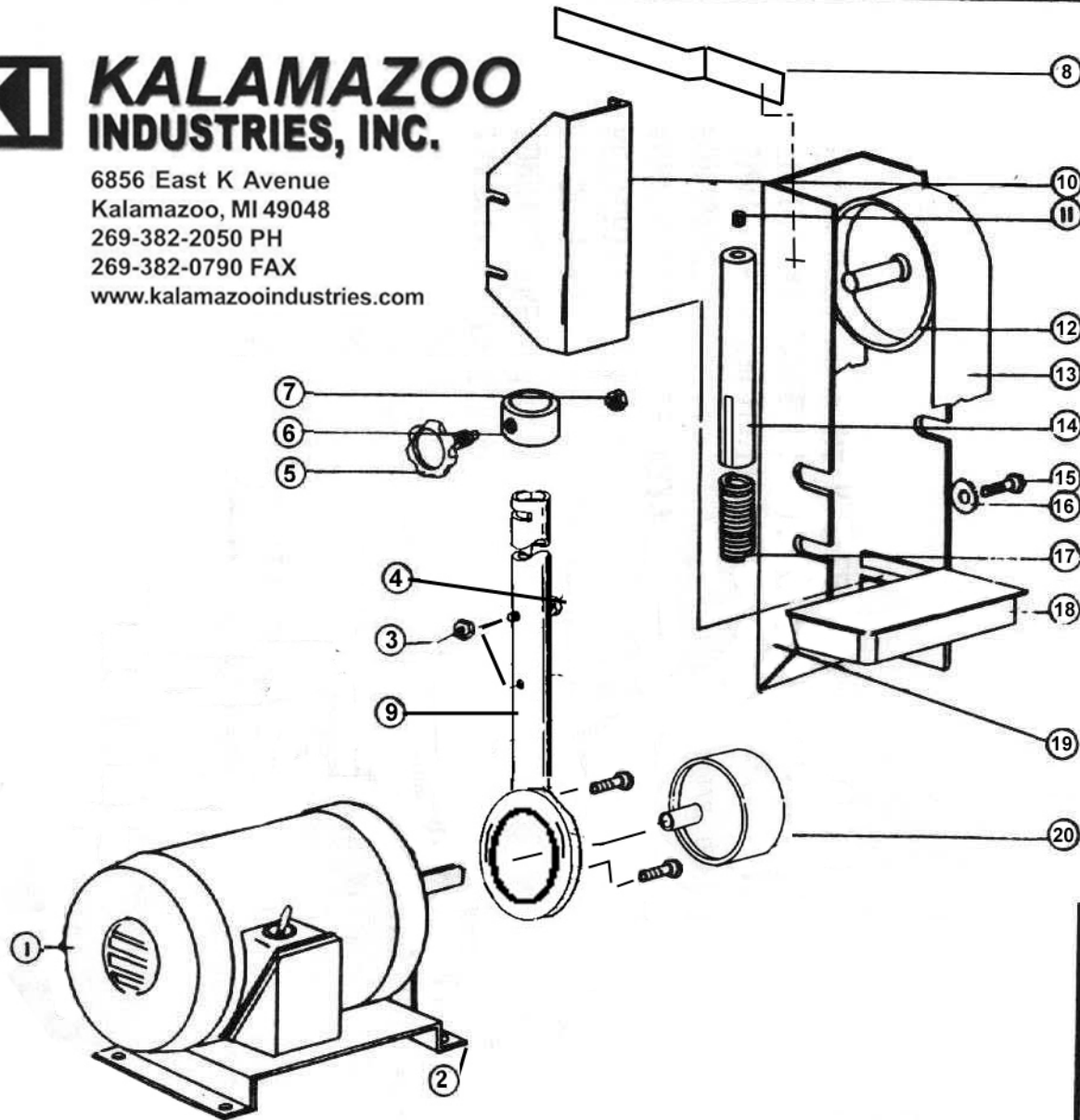




# KALAMAZOO INDUSTRIES, INC.

6856 East K Avenue  
 Kalamazoo, MI 49048  
 269-382-2050 PH  
 269-382-0790 FAX  
 www.kalamazooindustries.com



## PARTS LIST FOR 2FSM

ITEM PART NO. DESCRIPTION

ITEM	PART NO.	DESCRIPTION
1	486-022	CL3503 1/2HP, 1PH MOTOR
2	829-006	MOTOR BASE W/TUBE SUPPORT
2	829-053A	MOTOR BASE (NEW STYLE)
3		5/16-18 HEX HEAD NUT
4		5/16-18x2 H.H.C.S.
5	441-011	TRACKING KNOB
6	123-004	TRACKING COLLAR
7		1/4-20 HEX HEAD NUT
8	455-012	LEVER
9	832-023	TUBE SUPPORT RING
10	550-006	PLATEN
11		5/16-18x3/8 S.S.S.
12	936-003	IDLER WHEEL W/BRGS (OLD STYLE-NYLON)
12	936-030	IDLER WHEEL W/BRGS (NEW STYLE-STEEL)
13		2"x48" SANDING BELT
14	645-008	TENSION ROD
15		1/4-20x1/2 H.H.C.S.
16		1/4" PLAIN WASHER
17	697-013	TENSION SPRING
18	829-004	TILT WORK TABLE
19	342-018	SIDE HINGED GUARD
20	936-007	DRIVE WHEEL-2FSM
	342-084	BOXED OSHA GUARD-OPTIONAL

### 2FSM

SCALE:	APPROVED BY:	DRAWN BY: C.N.
DATE:		REVISED
		DRAWING NUMBER