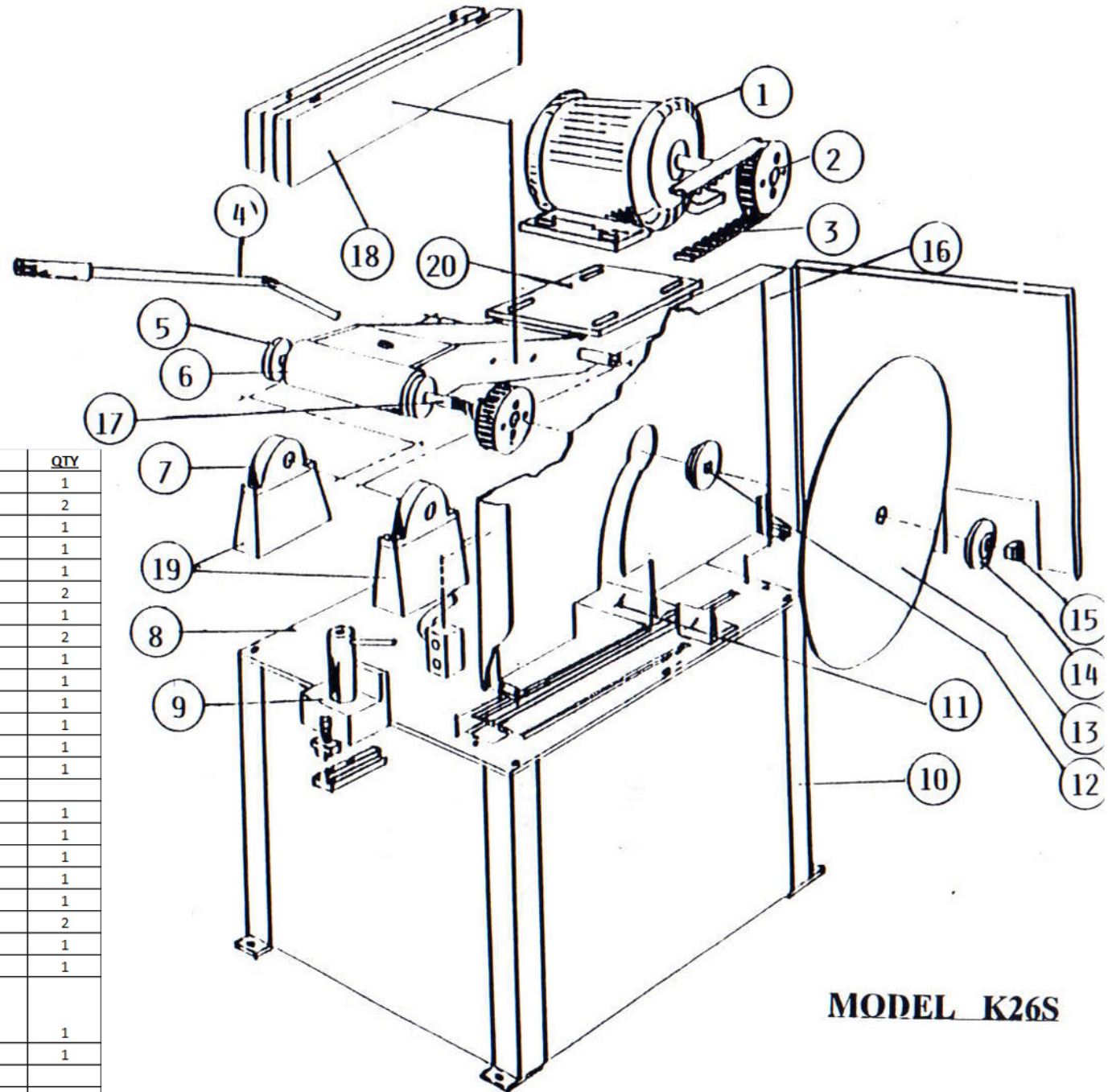


KALAMAZOO INDUSTRIES, INC.
 269-382-2050 PHONE /269-382-0790 FAX
 www.kalamazooindustries.com



MODEL K26S

No.	Part No.	Description	QTY
1	486-038	20Hp 3Ph Motor	1
2	560-027	Motor Pulley	2
	049-011	Spindle Bushing (Not Shown) Sold Separately	1
	049-012	Motor Bushing (Not Shown) Sold Separately	1
3	051-008	Timing Belt	1
4	044-009	Spindle Bearings	2
5	002-013	Saw Arm with Motor Mount	1
7	044-008	Trunnion Bearings	2
8	556-026	Top Plate	1
9	CV-26	Cam Vise	1
10	716-004	Saw Base	1
11	296-005	Left Fence	1
	296-006	Right Fence	1
12		Tight Flange (Not Sold Separately)	1
13	KAB26R	Abrasive Wheel (Not Included)	
14	292-013	Loose Flange	1
15	537-028	1-14" R.H. Spindle Nut	1
16	342-040	Wheel Guard	1
17	701-026	Spindle with Tight Flange	1
18	342-041	Belt Guard	1
19	053-015	Trunnion Blocks	2
	562-029	Trunnion Pin	1
20		Motor Mount (Not Sold Separately)	1
	131-009	Cylinder For K26PHV-K26PHV System Only	1
	641-013	Oil Reservoir - For K26PHV System Only	1
	389-006	Hydraulic Hose for K26PHV and K26E Only	
	389-007	Hydraulic Hose for K26PHV and K26E Only	
	002-013AS	Arm Assembly (Arm and Spindle Assembly)	1