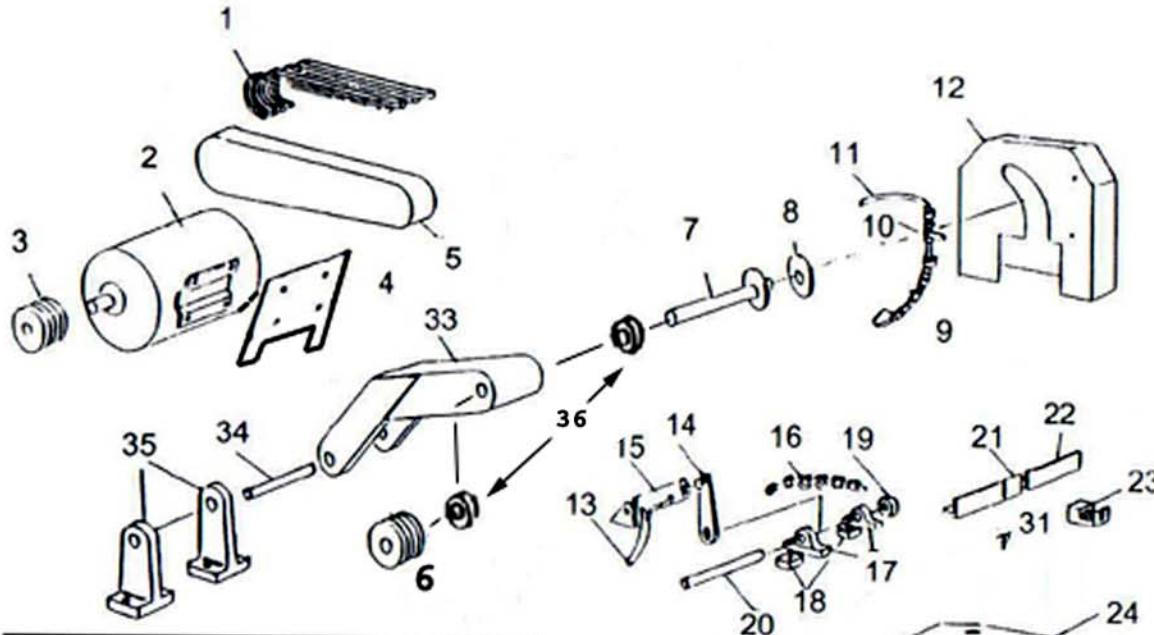
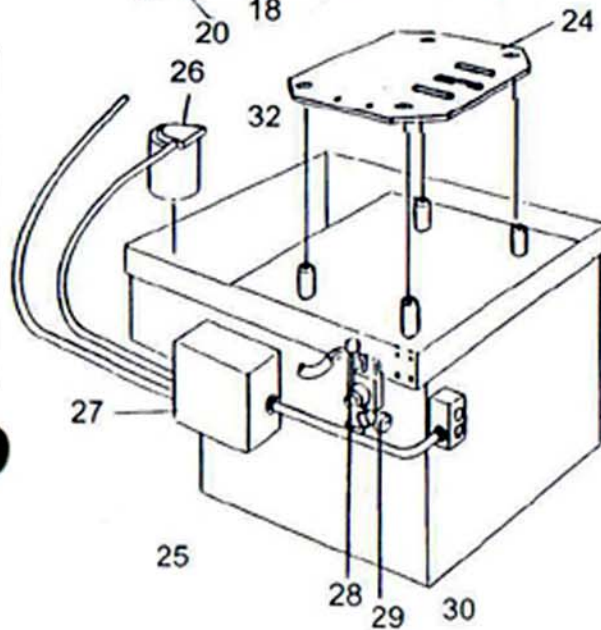
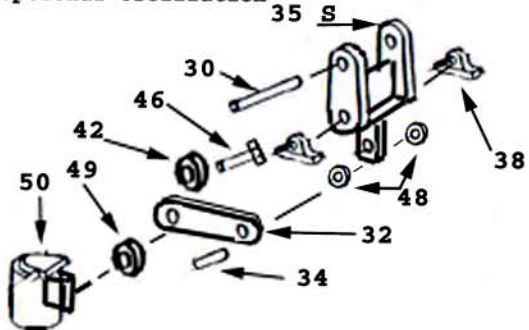


K30PH, K30WOSCPHV, K34, K36



Optional Oscillation



KI KALAMAZOO INDUSTRIES, INC.

6856 East K Avenue
Kalamazoo, MI 49048
269-382-2050 PH
269-382-0790 FAX
www.kalamazooindustries.com

| NO. | PART NO. | DESCRIPTION | QTY |
|-----|----------|----------------------|-----|
| 1 | 051-026 | V-BELT | 3 |
| 2 | | MOTOR- 30HP or 40HP | 1 |
| 3 | 560-088 | PULLEY MOTOR | 1 |
| 4 | 556-124 | PLATE-MOTOR | 1 |
| 5 | 342-109 | BELT GUARD | 1 |
| 6 | 560-089 | PULLEY-SPINDLE | 1 |
| 7 | 701-052 | SPINDLE | 1 |
| 8 | 292-031 | FLANGE-LOOSE | 1 |
| 9 | | COOLANT HOSE | 1 |
| 10 | | COOLANT VALVE | 1 |
| 11 | | COOLANT HOSE | 1 |
| 12 | 342-106 | WHEEL GUARD | 1 |
| 13 | | AIR LINE | 1 |
| 14 | 002-015 | ARM-CHAIN TAKE UP | 1 |
| 15 | 131-015 | CYLINDER-CHAIN VISE | 1 |
| 16 | | CHAIN | 1 |
| 17 | | PILLOW BLOCK | 1 |
| 18 | | SPACER | 1 |
| 19 | 560-036 | PULLEY | 1 |
| 20 | 700-039 | SHAFT-CHAIN TAKE-UP | 1 |
| 21 | 293-025 | FENCE, L.H. | 1 |
| 22 | 293-026 | FENCE, R.H. | 1 |
| 23 | 053-011 | BLOCK-CHAIN | 1 |
| 24 | 556-124 | PLATE-TOP | 1 |
| 25 | | STAND/BASE | 1 |
| 26 | IMV50-F | PUMP | 1 |
| 27 | | ELEC NEMA BOX | 1 |
| 28 | 912-014 | 4-WAY VALVE, VISE | 1 |
| 29 | 912-006 | AIR REGULATOR, SMALL | 1 |
| 30 | 562-040 | TRUNNION PIN-OSC | 1 |
| 31 | 651-002 | REGULATOR-LARGE | 1 |
| 32 | 002-045 | OSCILLATION ARM | 1 |
| 33 | 002-019 | SAW ARM SHORT | 1 |
| 33 | 002-020 | SAW ARM LONG (OSC) | 1 |
| 34 | 562-044 | OSCILLATION PIN | 1 |
| 35 | 831-002 | TRUNNIONS | 2 |
| 35 | 831-034 | OSCILLATION TRUNNION | 1 |
| 36 | 044-016 | BEARING-SPINDLE | 2 |
| 37 | 556-126 | PLATE-POWER DOWN | 1 |
| 38 | 044-030 | BEARING-OSC- | 2 |
| 39 | 131-016 | CYLINDER- 3-1/4x17 | 1 |
| 40 | 556-125 | PLATE, POWER DOWN | 1 |
| 41 | 645-029 | ROD, POWER DOWN | 1 |
| 42 | 044-001 | K12 BEARING-OSC ARM | 2 |
| 43 | 486-017 | MOTOR-COOLANT | 1 |
| 44 | 124-010 | CABINET-HYD | 1 |
| 45 | 292-030 | FLANGE-TIGHT | 1 |
| 46 | 700-040 | OSCILLATION PIN BOLT | 1 |
| 47 | 048-029 | BAR-MOTOR PLATE | 1 |
| 48 | 049-034 | BRONZE BUSHING | 2 |
| 49 | 129-014 | OSCILLATION CAM | 1 |
| 50 | 486-033M | MOTOR-OSCILLATION | 1 |
| | 486-033R | REDUCER-OSC | 1 |